

CRUISEMASTER DO35

3.5 TONNE ALL-TERRAIN COUPLING

U3 PLUS

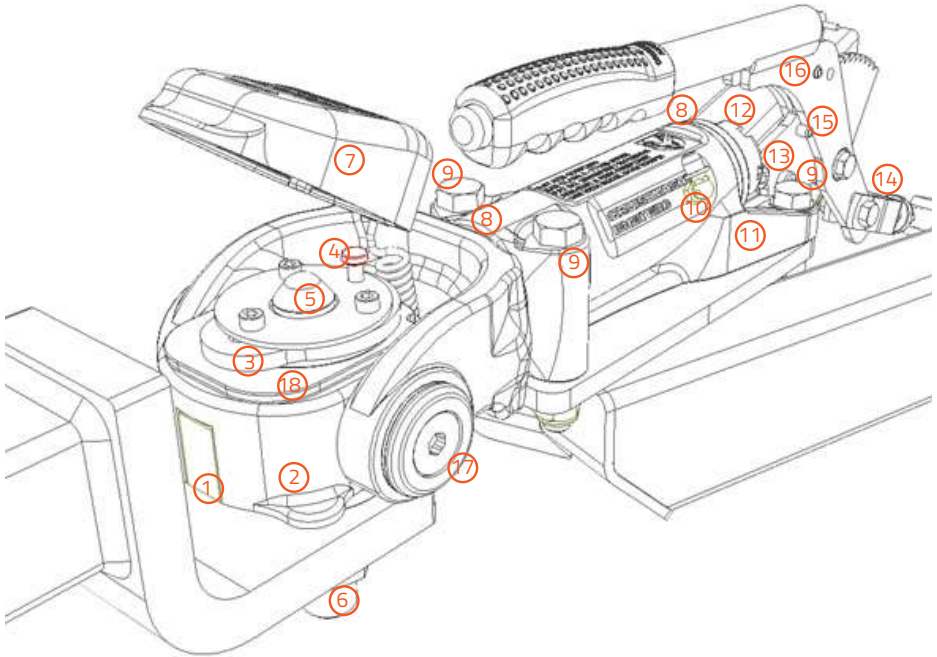


INSTALLATION • MAINTENANCE • WARRANTY • ACCESSORIES

CRUISEMASTER.COM.AU

   @CRUISEMASTERCOUNTRY

PRODUCT FEATURES



LEGEND

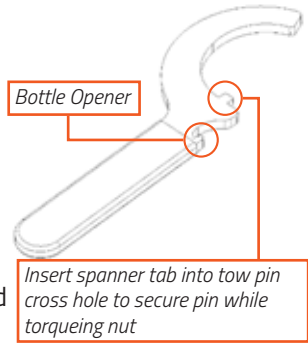
1. High Visibility Reflective Reversing Strip
2. Impact Resistant Bumper
3. Locking Slide Plate
4. Lock Button *Push Down to Release Lock Plate*
5. Pin Locating Port
6. Tow Pin Shaft (7/8" UNF AU or 1" UNF US Thread)
7. Gen.2 Check-Lock Dust Cap
8. Spindle Bushes
9. Mounting Bolts
10. Grease Nipple
11. Support Webbing
12. Slotted Nut & Pin
13. Handbrake Mount
14. Handbrake Cable Mounting Holes
15. Limiting Roll Pin *Can be removed for increased clearance*
16. Padlock Hole
17. Yoke Pivot Bolt *Only to be adjusted by a Cruisemaster approved repairer*
18. Universal *Full Universal Assembly includes Bumper & Locking Assembly*

PRODUCT FEATURES

Mounting the D035 Tow Pin onto the Tow Bar

For **Australian** supplied couplings, fit tow pin to towbar using spring washer and 7/8" nut supplied and torque to 440Nm (325lbs.ft) It may be necessary to hold the tow pin in place using the supplied c-spanner.

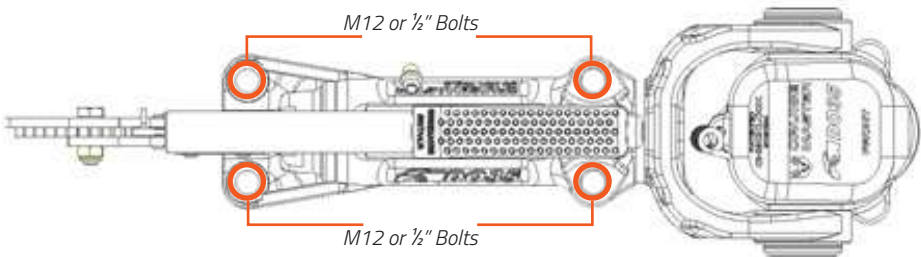
For **American** supplied couplings, fit tow pin to towbar using spring washer and 1" UNF nut supplied and torque to 530Nm (390lbs.ft) It may be necessary to hold the tow pin in place using the supplied c-spanner.



Bolting the D035 Coupling onto the Drawbar

Always use four new bolts to secure Coupling to Trailer. Bolt grades to be minimum M12 Class 8.8 torqued to 90Nm (66lbs.ft) or 1/2" Grade 5 bolts torqued to 100Nm (74lbs.ft). Use either nylon insert nuts or spring washers. **DO NOT ATTEMPT TO WELD** the coupling to the drawbar. The coupling must always be mounted flat on the drawbar plate.

A drawbar weight of at least 50kg (110lb) and not exceeding 350kg (772lb) is recommended.



Use of Weight Distribution Hitches

The D035 can be used with load distribution hitches' providing the coupling movement is not obstructed and the maximum downward load of 350kg (772lb) prior to tightening of bars is not exceeded. With a WDH adaptor attached to the vehicle, clearance should also be checked to ensure the trailer drawbar does not foul, particularly in tight reversing situations.

**WDH Adaptors for improved clearance with Hayman Reese Systems Available (See Accessories)*

HITCHING UP WITH THE D035

STEP 1

Ensure the Tow Pin Cover is removed from Tow Pin.

Step 2

The Tow Pin and Universal should be free of sand, dirt and foreign objects. Lightly lubricated to ensure premature wear is avoided.

Step 3

Set the coupling to the unlocked position. Do so by pushing down on the Red Lock Button while simultaneously pushing back the Locking slide plate towards the Red Lock Button. When in position the Lock Button will spring back and pressure will be removed from the Locking Plate. At this stage in the unlocked position the viewing port in the centre of the locking mechanism should be clear.

Step 4

Raise height of trailer so the coupling is above the vehicle Tow Pin height by adjusting Jockey Wheel or Stand.

Step 5

Align Coupling over Tow Pin by moving either vehicle or trailer, then lower coupling onto tow pin using Jockey Wheel or Stand. Ensure that the Universal is fully seated on the Tow Pin; the Tow Pin will protrude through locking plate as visible via the view port.

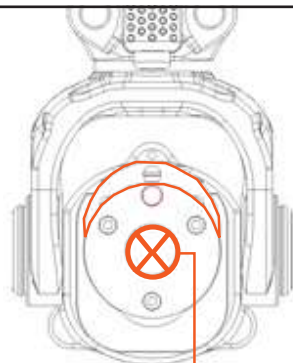
Step 6

Once in position Push the same Red Lock Button used in Step 3 to reset the locking plate into the locked position. The Locking Plate will slide forward into place simultaneously to the button push.

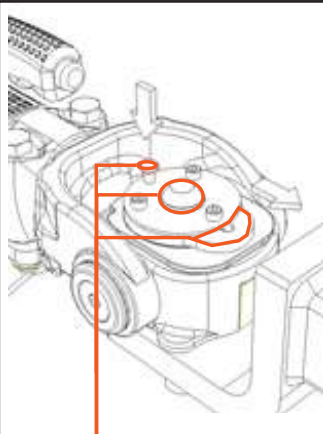
Step 7

Secure the Checklock Cap, the cap will emit an audible snap when secured correctly.

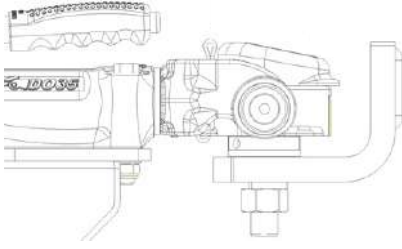
For video instructions visit <http://cruisemaster.com.au/videos> or search on YouTube "Cruisemaster - Hitching Up with the D035"



UNLOCKED:
- Locking plate protruding at rear
- Pin Locating Port clear



LOCKED:
- Engage lock with Red Lock Button
- Locking plate protruding at front
- Pin protruding through Locating Port



Final stage of hitching up will look as per above.

If you are not confident in fitting this product yourself, contact Cruisemaster to find your closest preferred service agent.

SAFETY

- Keep hands and fingers clear of coupling when attaching.
- Ensure trailer safety chains are attached whilst coupling or uncoupling.
- Do not use Tow Pin or Coupling for recovery purposes.

HANDBRAKE

If you have a coupling with a part number ending in "-I" this indicates the model includes an "Intergrated" Handbrake.

Part numbers ending in "-R" indicates the Handbrake is "Removed".

Some drawbar designs will restrict the handbrake on an intergrated model, in this situation we recommend the use of a Cruisemaster remotely mounted handbrake or side mount handbrake.

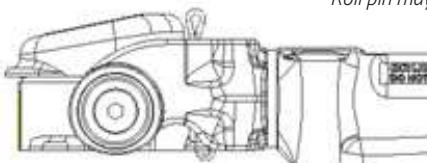
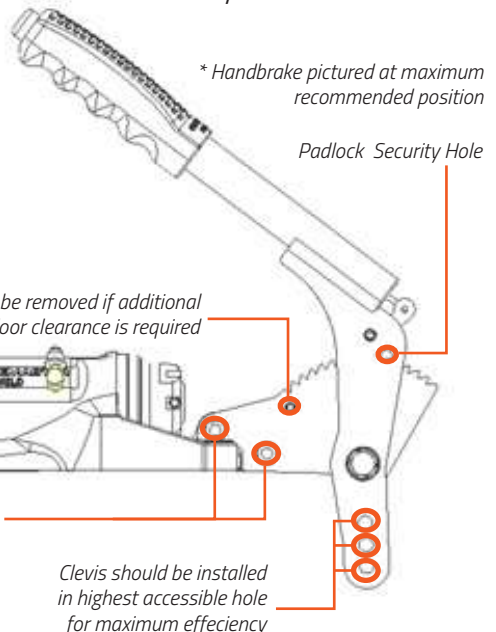
Handbrake Part Numbers

Std Remote Mount Handbrake - 56A-HB

Side Mount Handbrake - 56A-HB-S/M

V3 Handbrake Attachment - 56A-HB-V3

Available from www.cruisemaster.com.au



Pre-loctite bolts torqued to 35 Nm (25.8lbs.ft)
Removal of rear left mounting bolt may need to be removed to access handbrake mounting location.
Ensure mounting bolt is re-torqued if removed.

MAINTENANCE

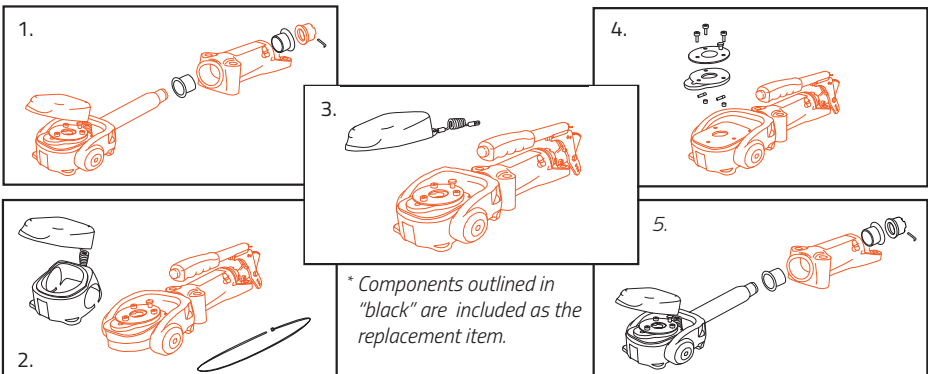
To ensure a long service life we recommend the following periodic maintenance procedures.

1. Keep the Tow Pin and Universal mating surfaces clean and lightly greased at all times.
2. Check the condition of Tow Pin O-Ring and replace if necessary (Part No. 18D-DO35-101).
3. Regularly lubricate grease points with multi-purpose lithium grease.
4. Periodic adjustment of the Slotted Nut & Pin may be required if coupling head loosens excessively and should be completed by a competent person.
5. Flush with clean water or air hose if locking mechanism does not open fully due to dirt ingress.

* *Cruisemaster recommends a thorough maintenance check is conducted every 10,000 Km or 12 months.*

* *Please note while the DO35's E-Coat provides superior corrosion protection it may fade with extended exposure to UV. This does not affect the operation of the DO35. To best maintain the finish of the product, we recommend covering the DO35 coupling when not in use if stored outside and exposed to direct UV.*

Available Replacement Parts



1. V3 Spindle Bush Kit
(18D-DO35-SPINDLE-BUSH-V3)

3. V3 Plus Dust Cap w/ Lanyard
(18D-DO35-CAP-V3-PLUS)

4. Locking Mechanism Kit
(18D-DO35-REPAIR-V2-V3)

2. V3 Plus Bumper & Dust Cap Kit
(18D-DO35-BUMPER-V3-PLUS)

5. V3 Plus Yoke & Universal Kit
(18D-DO35-YOKE-V3-PLUS)

For a complete list of spare components visit cruisemaster.com.au/shop.

ACCESSORIES

Looking to set up a second vehicle to tow with your D035, looking for a D035 enhancement or simply replacing a misplaced item?

There is a full range of supported accessories for the D035.

Tow Pin Kit (Incl. Pin / Cover / Tool)	- 18D-DO35-TP-WF-7/8-KIT
Pin Cover	- 18D-HM-DO35-COV-PIN
Universal C-Spanner	- 50K-133
WDH2 Adaptor Kit (HR Classic)	- 18D-HM-WDH-2
WDH3 Adaptor Kit (HR Standard)	- 18D-HM-WDH-3
WDH Adaptor Pin (HR Standard)	- 18D-DO35-TP-WX-KIT

CRUISEMASTER BI-LOCK (COUPLING LOCK)

Keep your investment safe and secure with the Cruisemaster Bi-Lock.



Step 1
Insert machined pin into the top of the coupling and engage the locking mechanism.



Step 2
Fit the lock chamber to the pin end underneath the coupling and lock with key.
Cover the key hole with supplied rubber dust cover to protect the lock chamber.



For a complete list of spare components visit cruisemaster.com.au/shop.

CRUISE MASTER WITHOUT LIMITS TPC

TOWING PERFORMANCE CENTRE

GEEBUNG, BRISBANE 07 3624 3822 CRUISEMASTERTPC.COM.AU

FULL WEIGHT ASSESSMENTS

4X4 FITOUTS & ACCESSORIES

CARAVAN SERVICING

UNDERBODY RETROFITS & REPAIRS

THE EXPERTS IN THE COMPLETE TOWING EXPERIENCE!



CRUISE MASTER™



NATIONAL SERVICE NETWORK

CRUISEMASTER.COM.AU/NATIONAL-SERVICE-NETWORK/

APPROVED SERVICE AGENTS

NATION WIDE!

Cruisemaster™ has a proud history of engineering and real life testing, these elements have meant Cruisemaster™ is the trusted leader in the industry when it comes to products being designed to last. Our confidence to stand behind our product gives you the confidence it will get you there and back again.

This product comes standard with a 3 year warranty. A complimentary 2 year warranty extension is available for this product.

Visit the Cruisemaster website for a full list of Terms & Conditions.

To Claim the full 5 years of warranty register this product online;

www.cruisemaster.com.au/warranty-policy/

